

ACOUSTIC HANGER

Series: TRN-70



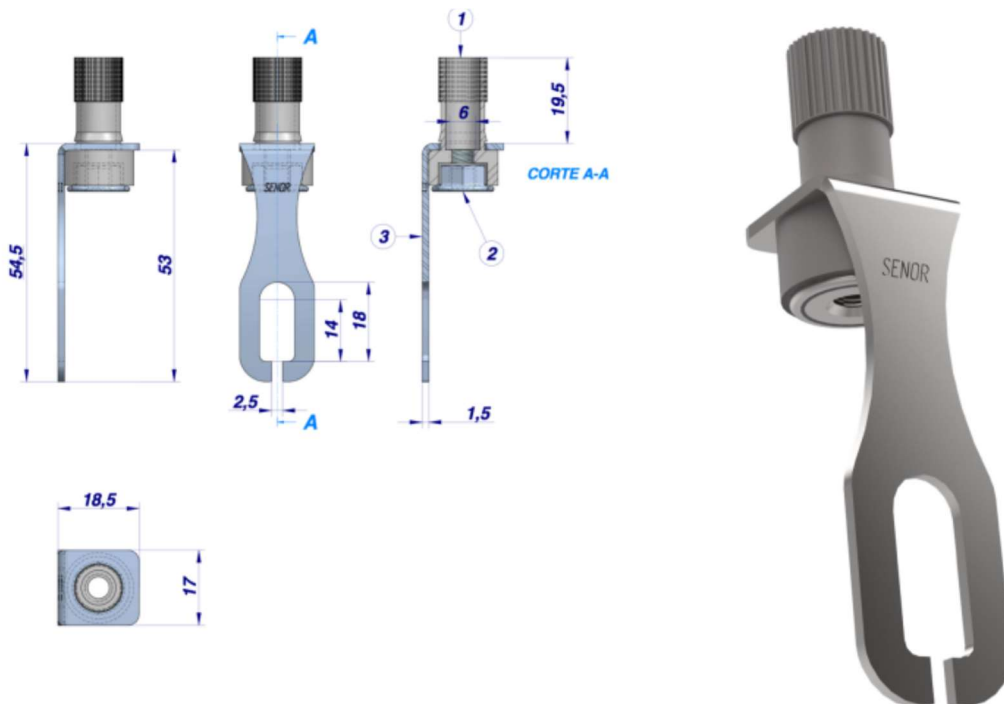
- No need for fastenings such as nuts and washers.
- Polypropylene body prevents transfer of hot and cold.
- Provides security in event of overload or extreme temperatures.
- Prevents condensation caused by change in temperature.
- Non-electrically conductive.
- Minimal loss of space.
- For use on suspended ceilings using T-15, T-24 and T-35 profiles.

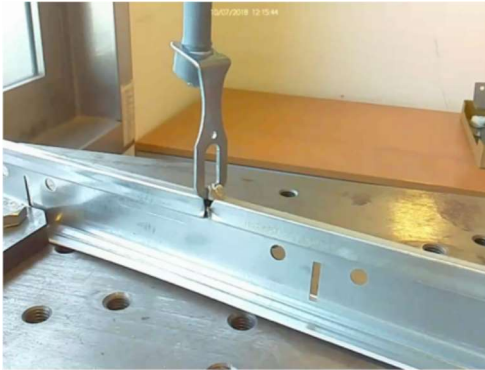
MATERIAL

- Polypropylene body with self-locking screw.
- Metal bracket: Galvanised steel Dx54d + Z140

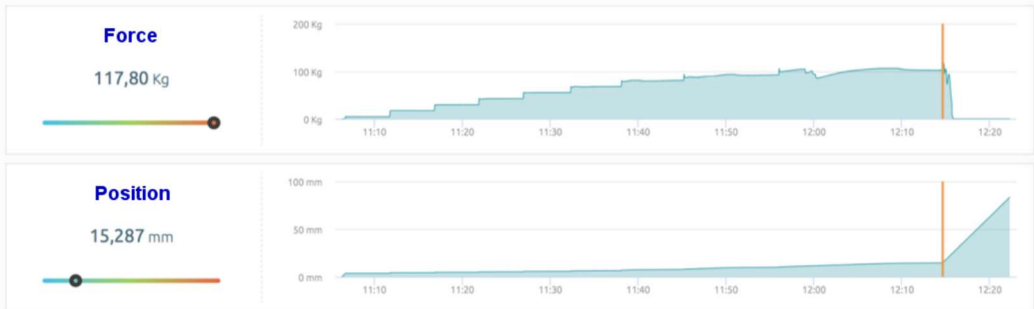
Part Number	Thread Size	Weight Range per mount (Kg)
TRN-70	M4, M6	10 ~ 15

Recommended maximum layout for ceiling with no more than 10kg/m²: 1200x1200mm
 Recommended maximum layout for ceiling with 10kg/m² up to 25kg/m²: 1200x900mm
 Recommended maximum layout for ceiling with 15kg/m² up to 25kg/m²: 1200 x 600mm
 Breaking point: >100kg





Break Test



Application Examples

